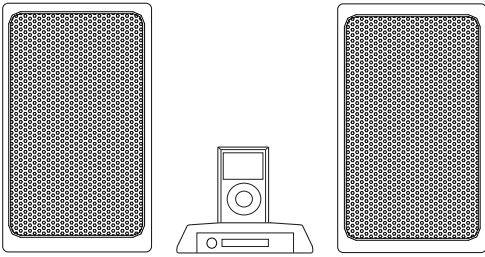


TEAC



SERVICE MANUAL

SP-X2i

Speaker System With iPod Dock



NOTES

- PC board shown are viewed from parts side.
- The parts with no reference number or no parts number in the exploded views are not supplied.
- As regards the resistors and capacitors, refer to the circuit diagrams contained in this manual.
- ⚠ Parts marked with this sign are safety critical components. they must be replaced with identical components - refer to the appropriate parts list and ensure exact replacement.
- Parts of [] mark can be used only with the version designated.

CONTENTS

1 SAFETY INFORMATION	2
2 SPECIFICATIONS	3
3 EXPLODED VIEW AND PARTS LIST	4
4 PC BOARDS AND PARTS LISTS	6
5 WIRING DIAGRAM	12
6 INCLUDED ACCESSORIES	13

1 SAFETY INFORMATION

SAFETY INFORMATION

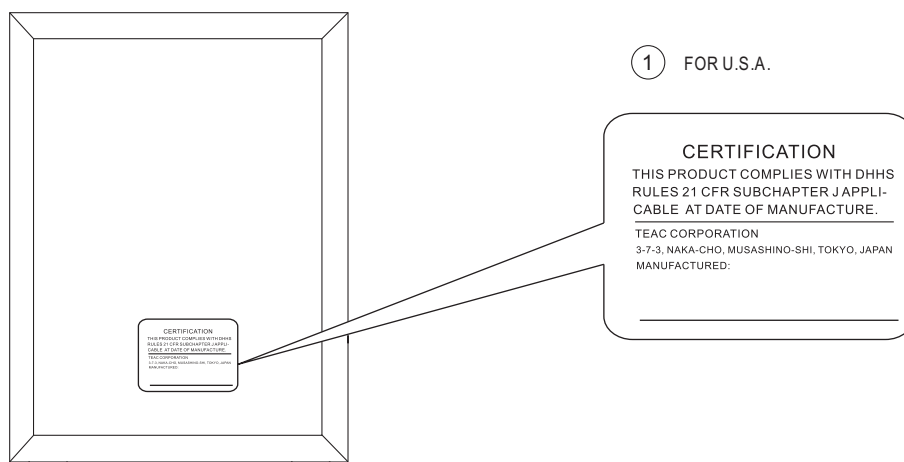
This product has been designed and manufactured according to FDA regulations " title 21, CFR, chapter 1, subchapter J, based on The Radiation Control for Health and Safety Act of 1968" and is classified as class 1 laser product. There is not hazardous invisible laser radiation during operation because invisible laser radiation emitted inside of this product is completely confined in the protective housings. The label required in this regulation is shown ①.

• **CAUTION**

USE OF CONTROLS OR ADJUSTMENT OR PERFORMANCE OF PROCEDURES OTHER THAN THOSE SPECIFIED HEREIN MAY RESULT IN HAZARDOUS RADIATION EXPOSURE.

DO NOT REMOVE THE PROTECTIVE HOUSING USING SCREWDRIVER.

IF THIS PRODUCT DEVELOPS TROUBLE, MAKE A CONTACT WITH OUR SERVICEMAN, AND DO NOT USE THE PRODUCT A TROUBLED STATE.



2 SPECIFICATIONS

Amplifier Section

Output Power (L+R)	5W + 5W
Output Power (Subwoofer)	15 W
Input Sensitivity	300mV
Frequency Response	50 to 20,000 Hz

SPEAKER SYSTEM Section

L & R speaker	
Type	Full range flat type
Impedance	4 ohms
Subwoofer Impedance	8 ohms

GENERAL

Power Requirements	120V AC,60Hz
Power Consumption	70 W
Dimension (W x H x D): L & R Speaker	142 x 226 x 70mm
Subwoofer	160 x 245 x 335mm
Dock (without cable)	100 x 51 x 107mm
Weight: (net)	L & R Speaker 0.6 kg(each)
	Subwoofer 5.3 kg
	Dock 0.5 kg

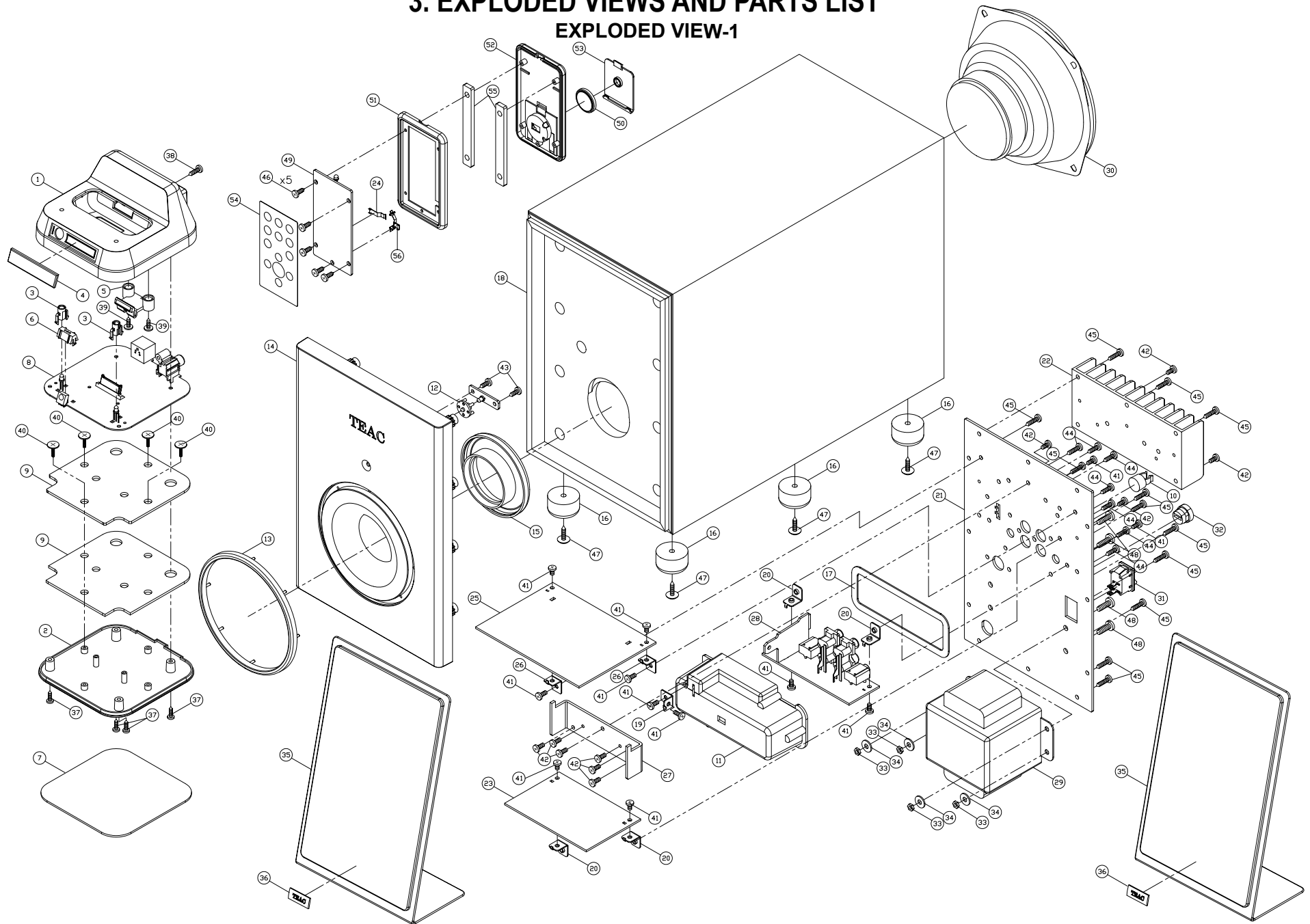
Standard Accessories:

	Remote Control Unit (RC-1121) x 1
	Battery for Remote Control Unit x 1
	Speaker Cable x 2
	Stereo mini plug cable x 1
	S-VIDEO/RCA video cable x 1
	Dock adaptor x 8
(adaptor "60GB (color) + Phone 40GB/60GB" premounted)	
	Cover for the Dock x 1
	Wall Mount Adaptor x 2
	Screw x 4
	Tapered Plastic Wall Anchor x 4
	Guide sheet for Wall Mounting x 2
	Owner's Manual x 1
	Warranty Card x 1


- Design and specifications are subject to change without notice.
- Illustrations may differ slightly from production models.
- Weight and dimensions are approximate.

SR-X2i

3. EXPLODED VIEWS AND PARTS LIST EXPLODED VIEW-1



EXPLODED VIEW-1

REF. NO	PARTS NO.	DESCRIPTION	REMARKS
1-1	56-02SPX2I0B010	IPOD TOP CABINET	
1-2	56-03SPX2I0B000	IPOD BOTTOM CABINET	
1-3	56-07SPX2I0B000	LED BRACKET	
1-4	56-57SPX2I00010	LOGO LENS	
1-5	56-64SPX2I0B000	IPOD LOCK	
1-6	56-07SPX2I1B000	SENSOR BRACKET	
1-7	58-26SPX2I00020	FOOT PAD RUBBER 92.4x92.4x1.5mm	
1-8	05-08SPX2I00000	IPOD PCB ASSY	
1-9	61-11SPX2I00020	AGGRVATIVE STEEL PLATE	
1-10	56-20CD10I0B000	AC CORD BUSHING	
1-11	56-22SPX2I0B000	PCB COVER	
1-12	56-57CDX0936000	LIGHT LENS	
1-13	56-78CDX092G000	CHROME RING	
1-14	56-85CDX090B010	SUBWOOFER PANEL	
1-15	56-87CDX090B000	PLASTIC TUBE	
1-16	58-263253150020	RUBBER FOOT DIA25mm T=15mm	
1-17	58-58DX01500320	CUSHION 106x40x1mm	
1-18	58-73DX01500121	SUBWOOFER BOX	
1-19	61-11V600000020	PCB BRACKET	
1-20	61-11V820010020	PCB FIX BRACKET (B)	
1-21	61-33SPX2I00021	SUBWOOFER BACK BOARD	
1-22	61-48DX01500020	HEAT SINK (A)	
1-23	05-01SPX2I00000	MAIN PCB ASSY	
1-24	61-25M620800120	BATTERY PLATE (-)	
1-25	05-07SPX2I00000	SUBWOOFER POWER PCB ASSY	
1-26	61-11V600000020	PCB BRACKET	
1-27	61-48DX01500120	HEAT SINK (B)	
1-28	05-08SPX2I00010	JACK PCB ASSY	
1-29	 18-203SPX2I0240	TRANSFORMER EI66	
1-30	190021153300120	SPEAKER 8 OHM 30W	
1-31	41-172111000310	SWITCH	
1-32	43-500000002020	AC CORD BUSHING	
1-33	67-021400000020	NUT M4mm	
1-34	68-112403101000	METAL WASHER	
1-35	19-50CD10I00020	SPEAKER BOX UNIT - BLACK	
1-36	56-58EXM5M0A000	LOGO BADGE	
1-37	66-140226210121	SELF-TAPPING SCREW TA/BH 2.6x10mm (BLACK)	
1-38	66-140330180121	SELF-TAPPING SCREW TA/PH 3x8mm (BLACK)	
1-39	66-140826210321	SELF-TAPPING SCREW TA/WH 2.6x10mm	
1-40	66-151426160221	SCREW TWP/BO 2.6x6mm MC	
1-41	66-120230160121	MACHINE SCREW MS/BH 3x6mm (BLACK)	
1-42	66-150230180123	HARDEN SCREW BTTB 3x8mm (BLACK)	
1-43	66-140230210321	SELF-TAPPING SCREW TA/BH 3x10mm	
1-44	66-140230212121	SELF-TAPPING SCREW TA/BH 3x12mm (BLACK)	
1-45	66-140230214121	SELF-TAPPING SCREW TA/BH 3x14mm (BLACK)	
1-46	66-140520170121	MACHINE SCREW TA/KH 2x7mm (BLACK)	
1-47	66-141430216121	SCREW TA/BWH 3x16mm (BLACK)	
1-48	66-120240212121	MACHINE SCREW MS/BH 4x12mm (BLACK)	
1-49	05-13SPX2I00000	REMOTE PCB ASSY	
1-50	51-021301000080	LITHIUM BATTERY	
1-51	56-43GR10I0B010	REMOTE FRONT CABINET	
1-52	56-43GR10I1B010	REMOTE REAR CABINET	
1-53	56-44GR10I0B010	REMOTE BATTERY DOOR	
1-54	57-33SPX2I00020	REMOTE PLATE	
1-55	61-11GR10I00020	WEIGHT STEEL 75x6x3.3mm	
1-56	61-25GR10I00020	REMOTE BATTERY PLATE (+)	

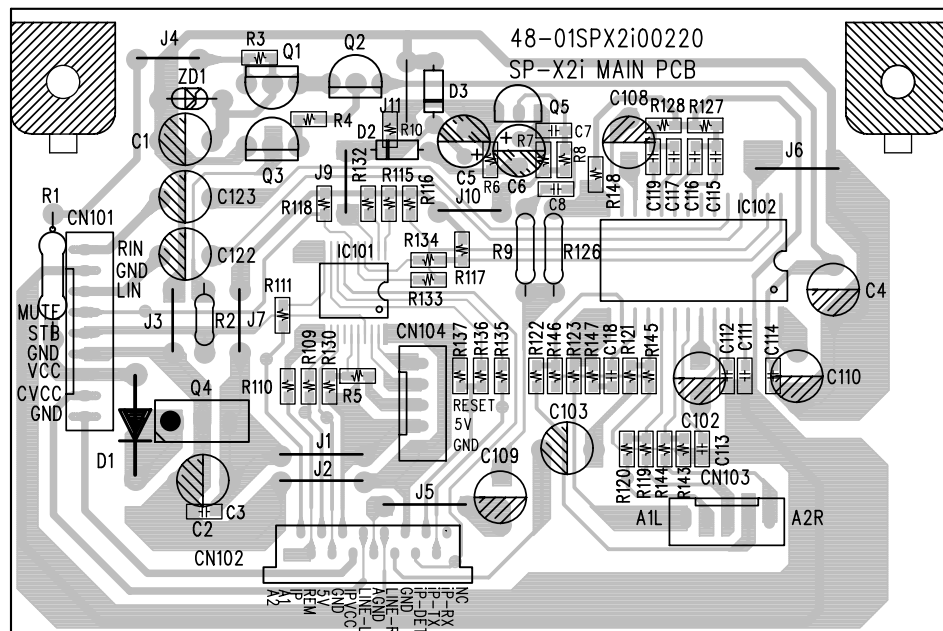
SP-X2i

4 PC BOARDS AND PARTS LIST

MAIN PCB ASSY










REF. NO	PARTS NO.	DESCRIPTION	REMARKS
	05-01SPX2I00000	MAIN PCB ASSY	
	48-01SPX2I00220	MAIN PCB	
CN102	43-022100215220	F.F.C.WAFER 1MM 15PIN	
CN103,104	43-012200150120	WAFER 2MM 5 PIN	
D1	12-1N40010000P1	RECTIFIER DIODE 1N4001	
D2,3	12-1N4148000125	DIODE 1N4148	
IC101	16-WP2K16800021	IC - WP2K168	
IC102	16-731300000021	IC - 4-CH AUDIO PROCESSOR 7313	
Q1	11-8050D0000025	TR - 8050D 2W	
Q2	11-8550D0000025	TR - 8550D 2W	
Q3,5	11-9014C0000025	TR - 9014C	
Q4	16-KA7805000121	IC - KA7805E	
ZD1	12-011910320125	ZENER DIODE 9.1V 1/2W	

MAIN PCB



SP-X2i

SUBWOOFER POWER PCB ASSY

REF. NO	PARTS NO.	DESCRIPTION	REMARKS
	05-07SPX2I00000	SUBWOOFER POWER PCB ASSY	
	48-07SPX2I00120	SUBWOOFER POWER PCB	
C20	 26-017220750121	E.CAP - 2200UF/16V	
C406	 26-017470950111	E.CAP - 4700UF/35V	
C701	 26-017470850121	E.CAP - 4700UF/25V	
C718,719	 26-017100750121	E.CAP - 1000UF/16V	
CN1	43-012250130120	WAFER 2.5MM 3 PIN	
CN2	43-012250170120	WAFER 2.5MM 7 PIN	
CN3	43-012200190120	WAFER 2MM 9 PIN	
CN5	43-012250140120	WAFER 2.5MM 4 PIN	
CN6	43-012250120120	WAFER 2.5MM 2 PIN	
D3-7,706	12-1N4001000021	RECTIFIER DIODE 1N4001	
D401-404	 12-1N5401000021	RECTIFIER DIODE 1N5401	
D701-704	 12-RL2020000021	RECTIFIER DIODE RL-202	
D705	12-1N4148000021	DIODE 1N4148	
FU1	 46-015400300120	AXIAL FUSE 4A/250V	
FU2,3	 46-015350300010	AXIAL FUSE 3.5A/250V	
FU4	 46-015200300010	AXIAL FUSE 2A/250V	
Q1	11-9015C0000021	TR - 9015C	
Q2,301	11-9014C0000021	TR - 9014C	
Q707,708,710	11-2SD1936T0021	TR - 2SD1936T	
U1	16-TA8216H00021	IC - TA8216H	
U2	16-BA4558N00021	IC - BA4558N	
U3	16-BA5417000021	IC - BA5417	
ZD1,2	12-011910320121	ZENER DIODE 9.1V	

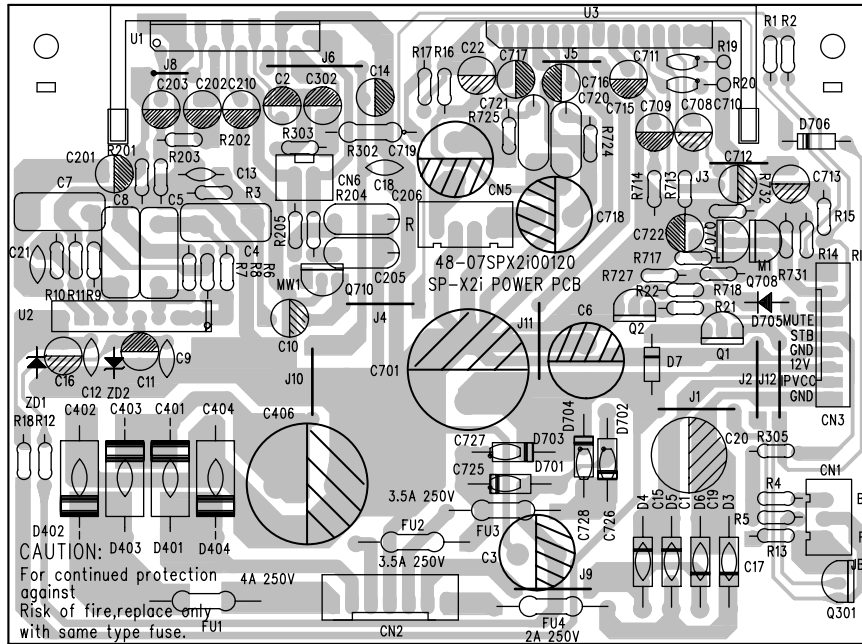
SPEAKER JACK PCB ASSY

REF. NO	PARTS NO.	DESCRIPTION	REMARKS
	05-08SPX2I00010	JACK PCB ASSY	
	48-09SPX2I00220	SPEAKER JACK PCB	
AUX1	43-431350012020	PHONE JACK 3.5MM	
AUX2	43-451200017020	H/RCA JACK 2PIN	

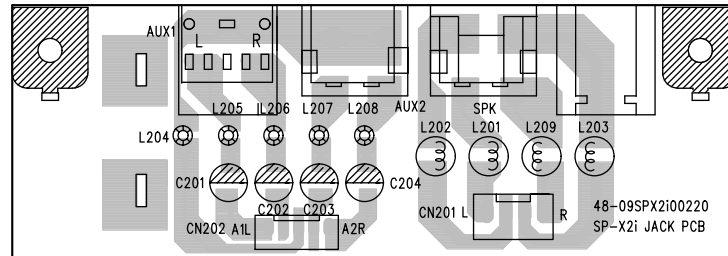
LED PCB ASSY

REF. NO	PARTS NO.	DESCRIPTION	REMARKS
		LED PCB ASSY	
	48-16DX01500221	LED PCB	
D1,2	13-011309022020	LED LAMP 3MM - ORANGE/BLUE	

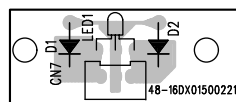
SUBWOOFER POWER PCB



SPEAKER JACK PCB



LED PCB



SP-X2i

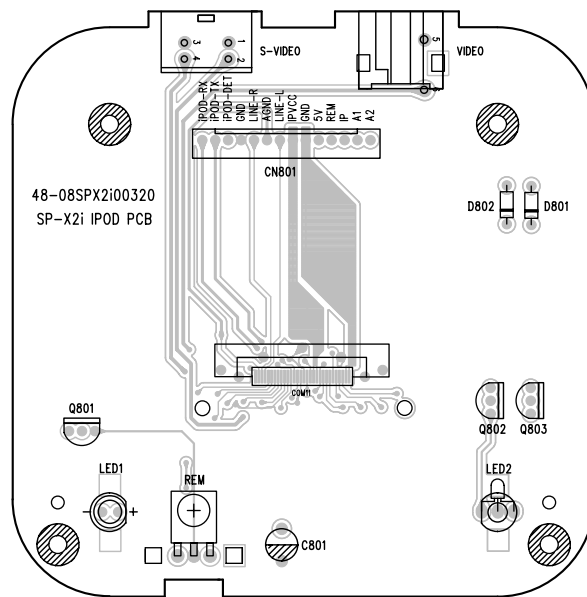
IPOD PCB ASSY

REF. NO	PARTS NO.	DESCRIPTION	REMARKS
	05-08SPX2I00000	IPOD PCB ASSY	
	48-08SPX2I00320	IPOD PCB	
COM11	43-011500230930	IPOD SOCKET 0.5MM 30PIN	
D801,802	12-1N4148000125	DIODE 1N4148	
LED1	13-011306622020	LED 3MM - BLUE	
LED2	13-011309422020	LED 3MM - Y/GR	
Q801-803	11-9014C0000025	TR - 9014C	
REM	17-05FM60380011	OPTIC SENSOR FM-6038TM2-5A	
S-VIDEO	43-462103000120	D-S TERMINAL #DS-15	
VIDEO	43-451100014020	RCA JACK 1PIN	

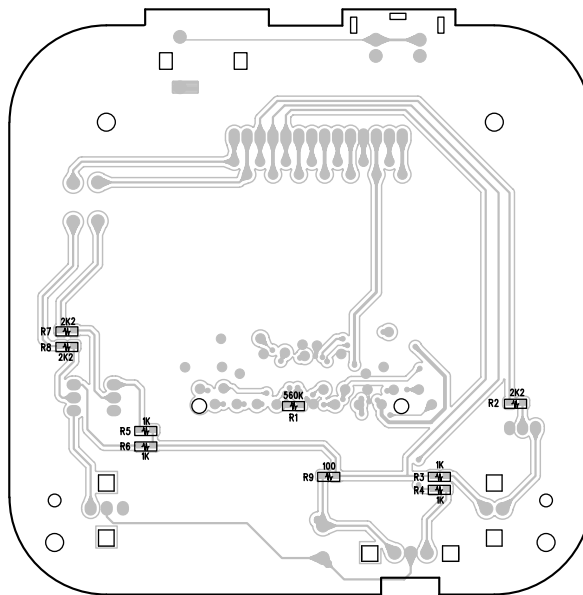
IPOD JACK PCB ASSY

REF. NO	PARTS NO.	DESCRIPTION	REMARKS
		JACK PCB ASSY	
	48-08SPX2I01320	IPOD JACK PCB	
CN1	43-47CD10I00020	SMD 18PIN SOCKET	
CN2	43-022100215220	F.F.C WAFER 1MM 19PIN	

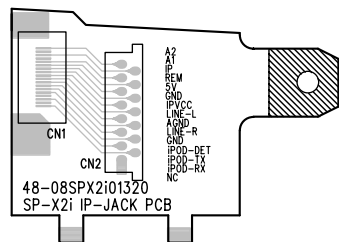
IPOD PCB - TOP



IPOD PCB - BOTTOM

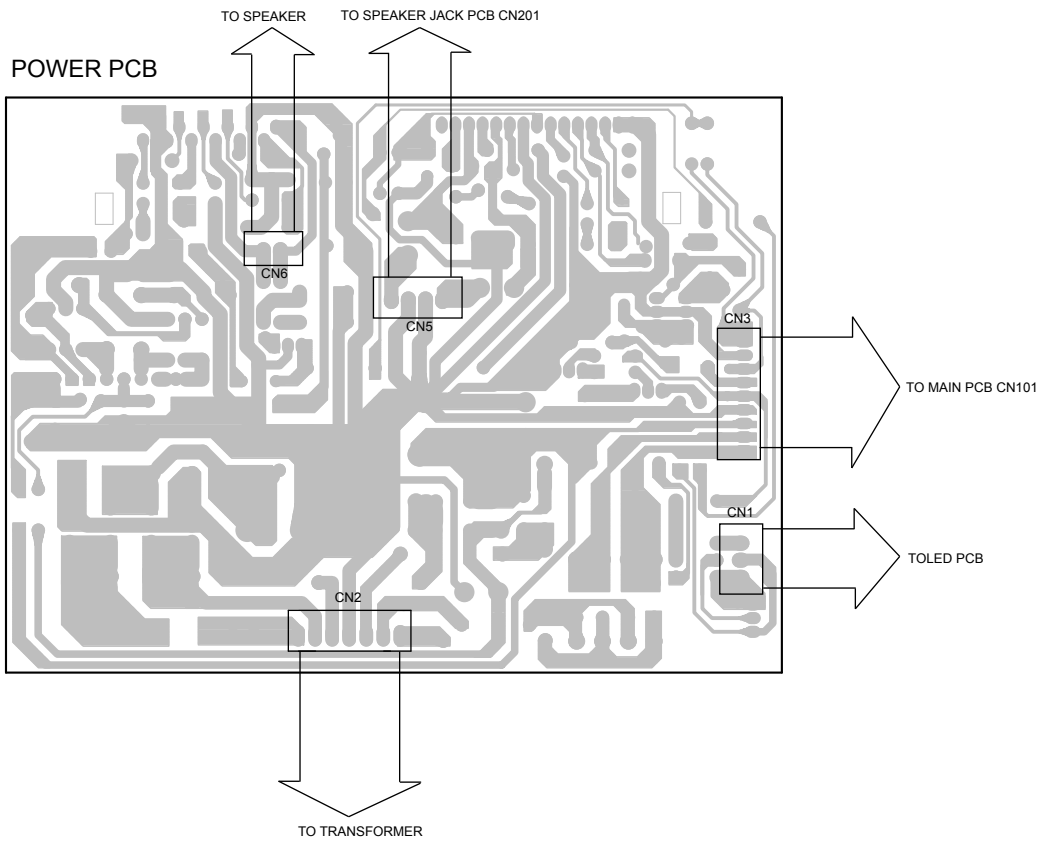
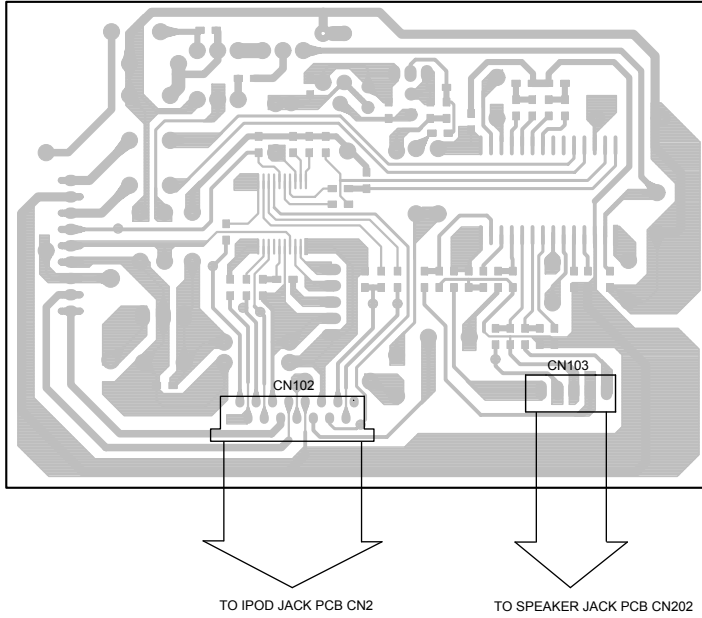


IPOD JACK PCB



5 WIRING DIAGRAM

MAIN PCB



6 INCLUDED ACCESSORIES

INCLUDED ACCESSORIES

REF. NO	PARTS NO.	DESCRIPTION	REMARKS
	77-20SPX2I00020	INSTRUCTION BOOK- E/F/SP	
	45-204300005320	1P RCA CORD - WHITE	
	45-204300005420	1P RCA CORD - RED	
	45-244300000120	S TERMINAL CABLE+RCA CORD - BLACK	
	45-264300000120	CONNECT CORD 3.5 ST/ PLUG CABLE	
	02-17SPX2I00000	REMOTE CONTROL - RC-1121	
	51-02130100080	LITHIUM BATTERY CR2032(GP)	

SP-X2i

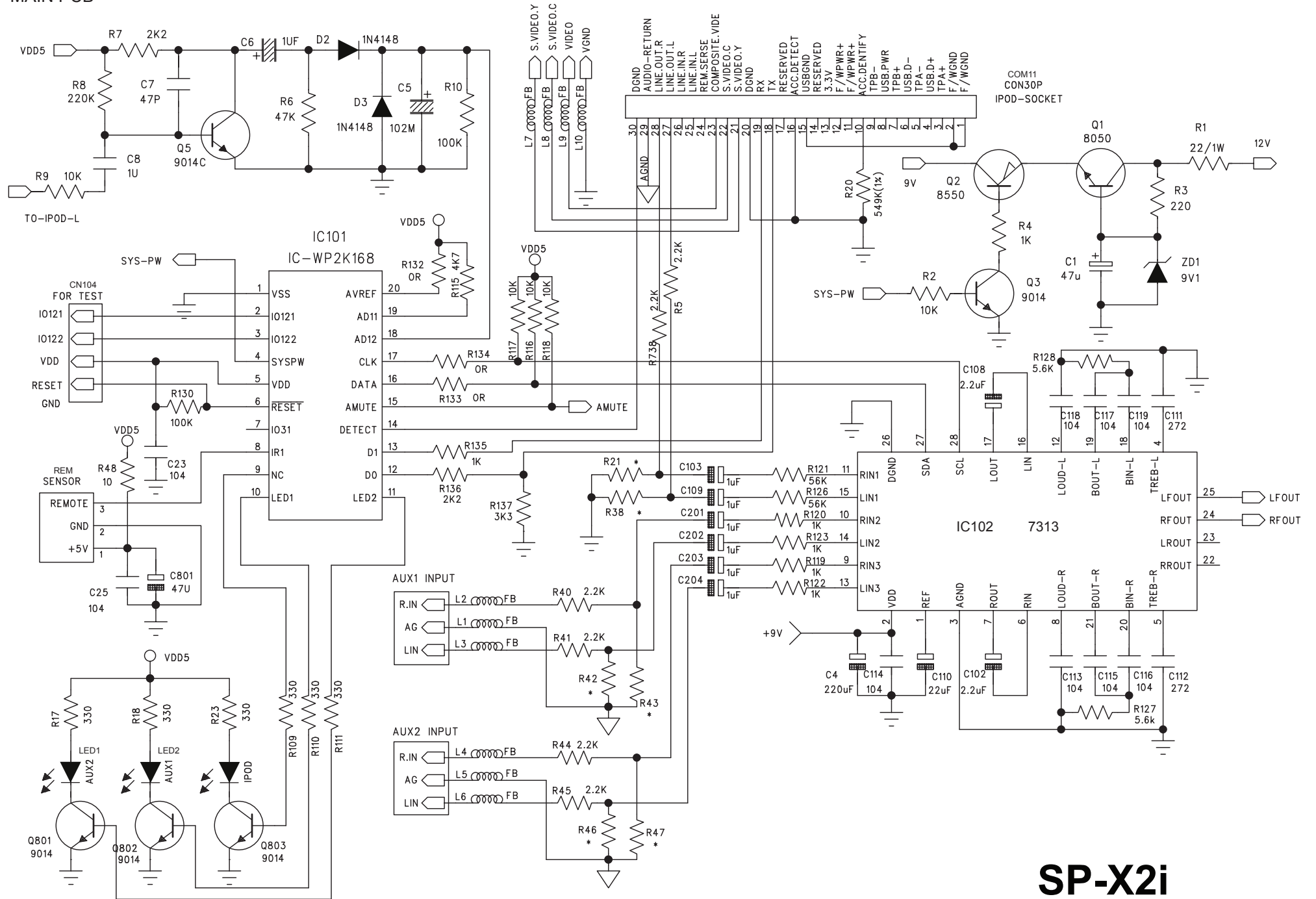
TEAC

TEAC CORPORATION	3-7-3 Nakacho, Musashino-shi, Tokyo 180-8550, Japan Phone:(0422)52-5081
TEAC AMERICA, INC.	7733 Telegraph Road, Montebello, California 90640 Phone: (323)726-0303
TEAC CANADA LTD.	5939 Wallace Street, Mississauga, Ontario L4Z 1Z8, Canada Phone: (905)-890-8008
TEAC MEXICO, S.A.De C.V.	Campesinos N°184, Colonia.Granjas Esmeralda, Delegacion Iztapalapa, CP 09810, Mexico DF Phone: (525)-581-5500
TEAC UK LIMITED	Unit 19 & 20, The Courtyards, Hatters Lane, Watford, Hertfordshire, WD18 8TE5, U.K. Phone:(0845) 130-2511
TEAC EUROPE GmbH	Bahnstrasse 12, 65205 Wiesbaden-Erbenheim, Germany Phone: 0611-71580
TEAC ITALIANA S.p.A.	Via C, Cantu 9/A, 20092 Cinisello Balsamo, Milano, Italy Phone:02-66010550
TEAC AUSTRALIA PTY., LTD.	280 William Street, Melbourne VIC 3000, Australia Phone:(03)9672-2400
A.B.N. 80 005 408 462	

JAN 2007

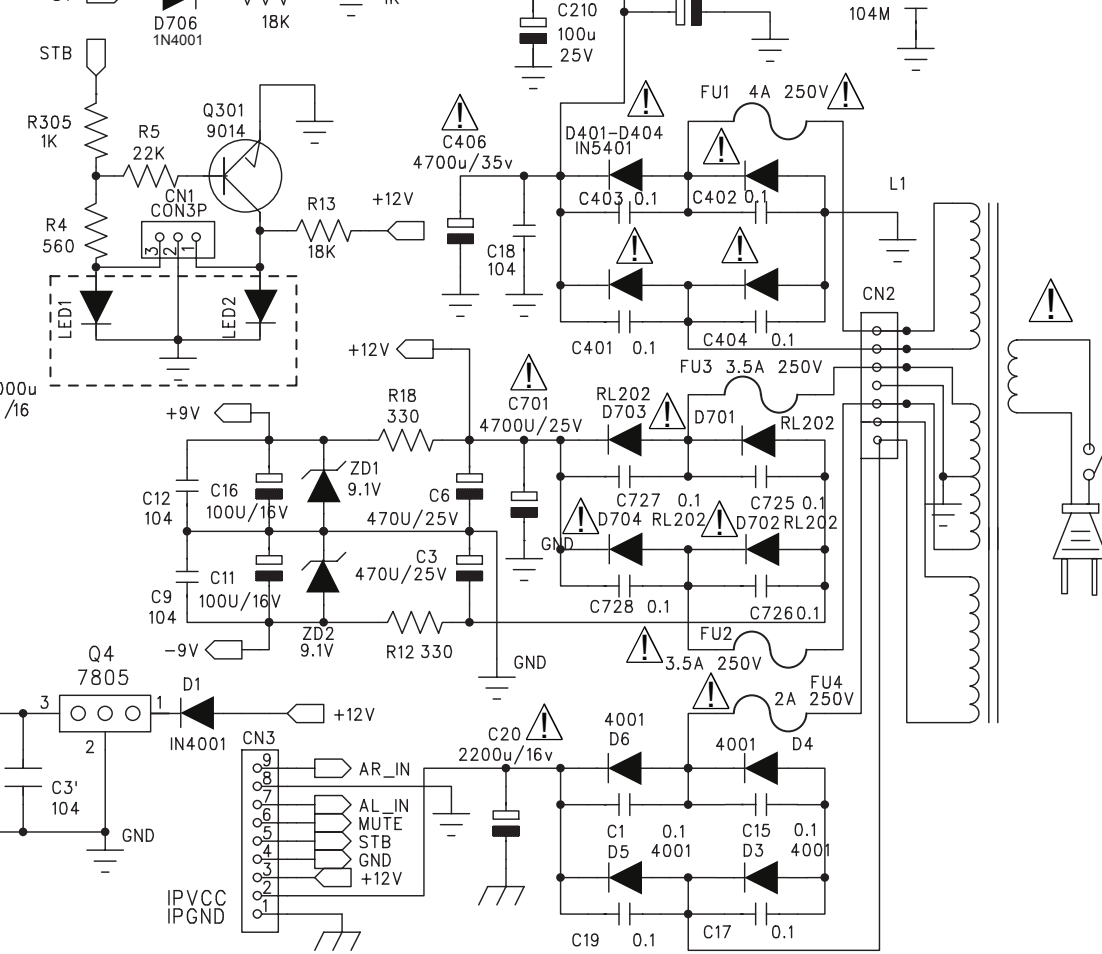
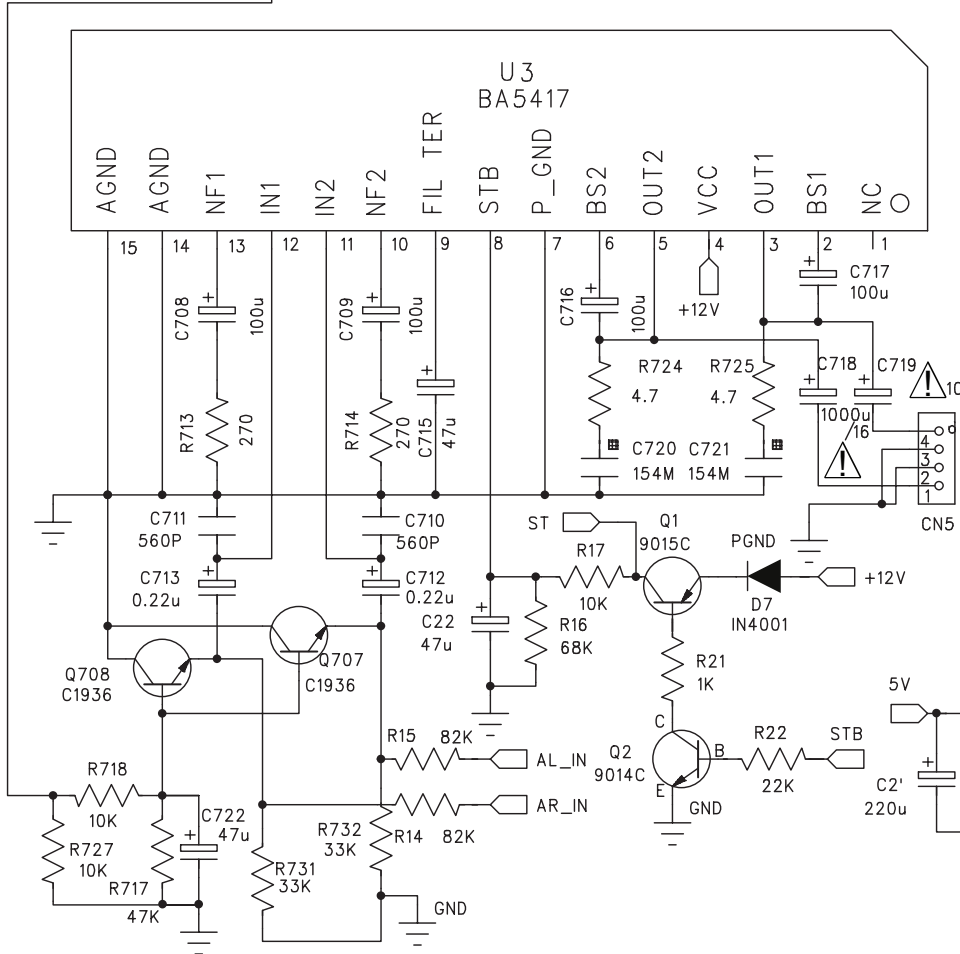
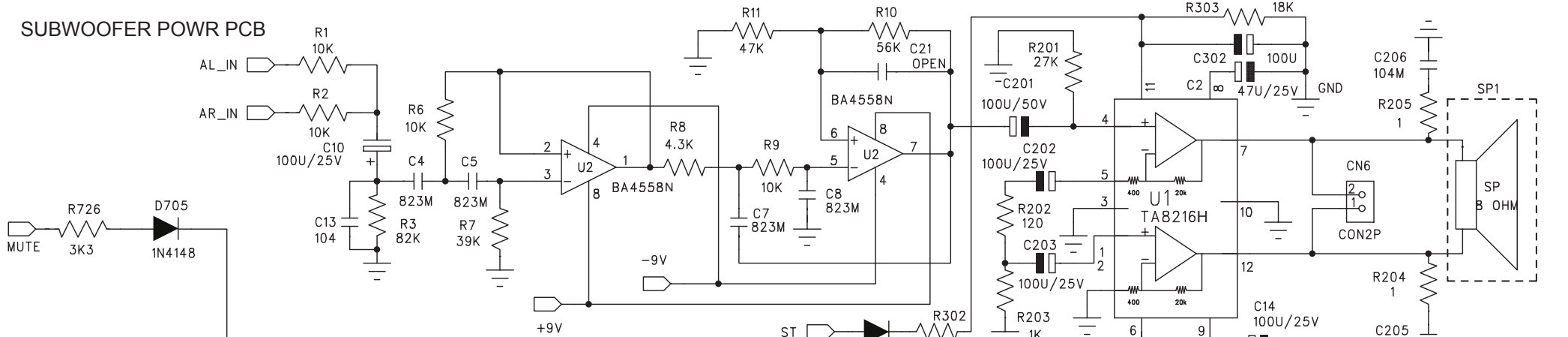
PREPARED IN HONG KONG

MAIN PCB



SP-X2i
Speaker System With iPod Dock

SUBWOOFER POWR PCB



SP-X2i
Speaker System With iPod Dock